



ARTISTE
VAN GOGHTM
user manual

©2021 ELATION PROFESSIONAL all rights reserved. Information, specifications, diagrams, images, and instructions herein are subject to change without notice. ELATION PROFESSIONAL logo and identifying product names and numbers herein are trademarks of ELATION PROFESSIONAL. Copyright protection claimed includes all forms and matters of copyrightable materials and information now allowed by statutory or judicial law or hereinafter granted. Product names used in this document may be trademarks or registered trademarks of their respective companies and are hereby acknowledged. All non-ELATION brands and product names are trademarks or registered trademarks of their respective companies.

ELATION PROFESSIONAL and all affiliated companies hereby disclaim all liabilities for property, equipment, building, and electrical damages, injuries to any persons, and direct or indirect economic loss associated with the use or reliance of any information contained within this document, and/or because of the improper, unsafe, insufficient, and negligent assembly, installation, rigging, and operation of this product.

Elation Professional USA | 6122 S. Eastern Ave. | Los Angeles, CA. 90040
323-582-3322 | 323-832-9142 fax | www.elationlighting.com | info@elationlighting.com

Elation Professional B.V. | Junostraat 2 | 6468 EW Kerkrade, The Netherlands
+31 45 546 85 66 | +31 45 546 85 96 fax | www.elationlighting.eu | info@elationlighting.eu

Elation Professional Mexico | AV Santa Ana 30 | Parque Industrial Lerma, Lerma, Mexico 52000
+52 (728) 282-7070

DOCUMENT VERSION



Due to additional product features and/or enhancements, an updated version of this document may be available online. Please scan the QR Code with your mobile device or visit www.elationlighting.com for the latest revision/update of this manual, before installation and/or programming.

Date	Document Version	Software Version ≥	DMX Channel Modes	Notes
04/30/19	1.0	1.3.0	22 / 36	Initial release.
06/25/20	1.1	N/C	NO CHANGE	Updated thermal
12/22/20	1.2	1.3.3	NO CHANGE	Updated specifications and primary / secondary modes, corrected DMX Traits
03/16/21	1.3	N/C	NO CHANGE	Updated sun protection, & FCC

CONTENTS

General Information	4
Limited Warranty (USA Only)	5
Safety Guidelines	6
Maintenance Guidelines	8
Fixture Overview	9
Colors	10
PC / Fresnel Lens Installation	11
Installation Guidelines	13
System Menu	16
DMX Channel Functions and Values	24
Error Codes	32
Specifications	33
Optional Accessories	35

GENERAL INFORMATION

INTRODUCTION

Please read and understand the instructions in this manual carefully and thoroughly before attempting to operate this device. These instructions contain important safety and use information.

UNPACKING

Every device has been thoroughly tested and has been shipped in perfect operating condition. Carefully check the shipping carton for damage that may have occurred during shipping. If the carton is damaged, carefully inspect the device for damage, and be sure all accessories necessary to install and operate the device have arrived intact. In the event damage has been found or parts are missing, please contact our customer support team for further instructions. Please do not return this device to your dealer without first contacting customer support. Please do not discard the shipping carton in the trash. Please recycle whenever possible.

BOX CONTENTS

Fresnel Lens (installed)
PC Lens
Omega Brackets (x2)
Power Cable

CUSTOMER SUPPORT

Contact **ELATION Service** for any product related service and support needs. Also visit forums.elationlighting.com with questions, comments or suggestions.

ELATION SERVICE USA - Monday - Friday 8:00am to 4:30pm PST
323-582-3322 | Fax 323-832-9142 | support@elationlighting.com

ELATION SERVICE EUROPE - Monday - Friday 08:30 to 17:00 CET
+31 45 546 85 63 | Fax +31 45 546 85 96 | support@elationlighting.eu

REPLACEMENT PARTS please visit parts.elationlighting.com



I M P O R T A N T N O T I C E !

THERE ARE NO USER SERVICEABLE PARTS INSIDE THIS UNIT.

DO NOT ATTEMPT ANY REPAIRS YOURSELF; DOING SO WILL VOID YOUR MANUFACTURES WARRANTY. DAMAGES RESULTING FROM MODIFICATIONS TO THIS FIXTURE AND/OR THE DISREGARD OF SAFETY INSTRUCTIONS AND GUIDELINES IN THIS MANUAL VOID THE MANUFACTURES WARRANTY AND ARE NOT SUBJECT TO ANY WARRANTY CLAIMS AND/OR REPAIRS.

LIMITED WARRANTY (USA ONLY)

- A. Elation Professional hereby warrants, to the original purchaser, Elation Professional products to be free of manufacturing defects in material and workmanship for a period of two years (730 days), and Elation Professional product rechargeable batteries to be free of manufacturing defects in material and workmanship for a period of six months (180 days), from the original date of purchase. This warranty excludes discharge lamps and all product accessories. This warranty shall be valid only if the product is purchased within the United States of America, including possessions and territories. It is the owner's responsibility to establish the date and place of purchase by acceptable evidence, at the time service is sought.
- B. For warranty service, send the product only to the Elation Professional factory. All shipping charges must be pre-paid. If the requested repairs or service (including parts replacement) are within the terms of this warranty, Elation Professional will pay return shipping charges only to a designated point within the United States. If any product is sent, it must be shipped in its original package and packaging material. No accessories should be shipped with the product. If any accessories are shipped with the product, Elation Professional shall have no liability whatsoever for loss and/or or damage to any such accessories, nor for the safe return thereof.
- C. This warranty is void if the product serial number and/or labels are altered or removed; if the product is modified in any manner which Elation Professional concludes, after inspection, affects the reliability of the product; if the product has been repaired or serviced by anyone other than the Elation Professional factory unless prior written authorization was issued to purchaser by Elation Professional; if the product is damaged because not properly maintained as set forth in the product instructions, guidelines and/or user manual.
- D. This is not a service contract, and this warranty does not include any maintenance, cleaning, or periodic check-up. During the periods as specified above, Elation Professional will replace defective parts at its expense, and will absorb all expenses for warranty service and repair labor by reason of defects in material or workmanship. The sole responsibility of Elation Professional under this warranty shall be limited to the repair of the product, or replacement thereof, including parts, at the sole discretion of Elation Professional. All products covered by this warranty were manufactured after January 1, 1990, and bare identifying marks to that effect.
- E. Elation Professional reserves the right to make changes in design and/or performance improvements upon its products without any obligation to include these changes in any products theretofore manufactured.
- F. No warranty, whether expressed or implied, is given or made with respect to any accessory supplied with the products described above. Except to the extent prohibited by applicable law, all implied warranties made by Elation Professional in connection with this product, including warranties of merchantability or fitness, are limited in duration to the warranty periods set forth above. And no warranties, whether expressed or implied, including warranties of merchantability or fitness, shall apply to this product after said periods have expired. The consumer's and/or dealer's sole remedy shall be such repair or replacement as is expressly provided above; and under no circumstances shall Elation Professional be liable for any loss and/or damage, direct and/or consequential, arising out of the use of, and/or the inability to use, this product.
- G. This warranty is the only written warranty applicable to Elation Professional products and supersedes all prior warranties and written descriptions of warranty terms and conditions heretofore published.

WARRANTY RETURNS

All returned service items whether under warranty or not, must be freight pre-paid and accompany a return authorization (R.A.) number. The R.A. number must be clearly written on the outside of the return package. A brief description of the problem as well as the R.A. number must also be written down on a piece of paper and included in the shipping container. If the unit is under warranty, you must provide a copy of your proof of purchase invoice. Items returned without a R.A. number clearly marked on the outside of the package will be refused and returned at customer's expense. You may obtain a R.A. number by contacting customer support.

SAFETY GUIDELINES

This fixture is a sophisticated piece of electronic equipment. To guarantee a smooth operation, it is important to follow all instructions and guidelines in this manual. Elation Professional is not responsible for injury and/or damages resulting from the misuse of this fixture due to the disregard of the information printed in this manual. Only qualified and/or certified personnel should perform installation of this fixture and only the original rigging parts (omega brackets) included with this fixture should be used for installation. Any modifications to the fixture and/or the included mounting hardware will void the original manufactures warranty and increase the risk of damage and/or personal injury.



PROTECTION CLASS 1 - FIXTURE MUST BE PROPERLY GROUNDED



**THERE ARE NO USER SERVICEABLE PARTS INSIDE THIS UNIT.
DO NOT ATTEMPT ANY REPAIRS YOURSELF; DOING SO WILL VOID YOUR
MANUFACTURES WARRANTY. DAMAGES RESULTING FROM MODIFICATIONS
TO THIS FIXTURE AND/OR THE DISREGARD OF SAFETY INSTRUCTIONS AND
GUIDELINES IN THIS MANUAL VOID THE MANUFACTURES WARRANTY AND
ARE NOT SUBJECT TO ANY WARRANTY CLAIMS AND/OR REPAIRS.**



**DO NOT PLUG FIXTURE INTO A DIMMER PACK!
NEVER OPEN THIS FIXTURE WHILE IN USE!
UNPLUG POWER BEFORE SERVICING FIXTURE!
NEVER TOUCH FIXTURE DURING OPERATION, AS IT MAY BE HOT!
KEEP FLAMMABLE MATERIALS AWAY FROM FIXTURE!**



**NEVER LOOK DIRECTLY INTO THE LIGHT SOURCE!
RETINA INJURY RISK - MAY INDUCE BLINDNESS!
SENSITIVE PERSONS MAY SUFFER AN EPILEPTIC SHOCK!**



**INDOOR / DRY LOCATIONS USE ONLY!
DO NOT EXPOSE FIXTURE TO RAIN AND MOISTURE!**



**MINIMUM DISTANCE TO OBJECTS/SURFACES
MUST BE 6.6 FEET (2 METERS)
MAXIMUM TEMP OF EXTERNAL SURFACE 185° F (85°C)
MINIMUM DISTANCE OF INFLAMMABLE MATERIALS
FROM THE SURFACE 1.6 FEET (0.5 METER)**

SAFETY GUIDELINES

DO NOT TOUCH the fixture housing during operation. Turn OFF the power and allow approximately 15 minutes for the fixture to cool down before serving.

DO NOT shake fixture, avoid brute force when installing and/or operating fixture.

DO NOT operate fixture if the power cord is frayed, crimped, damaged and/or if any of the power cord connectors are damaged and do not insert into the fixture securely with ease. **NEVER** force a power cord connector into the fixture. If the power cord or any of its connectors are damaged, replace it immediately with a new one of similar power rating.

DO NOT block any air ventilation slots.

All fan and air inlets must remain clean and never blocked.

Allow approx. 6" (15cm) between fixture and other devices or a wall for proper cooling.

When installing fixture in a suspended environment, always use mounting hardware that is no less than M10 x 25 mm, and always install fixture with an appropriately rated safety cable.

Always disconnect fixture from main power source before performing any type of service and/or cleaning procedure. Only handle the power cord by the plug end, never pull out the plug by tugging the wire portion of the cord.

During the initial operation of this fixture, a light smoke or smell may emit from the interior of the fixture. This is a normal process and is caused by excess paint in the interior of the casing burning off from the heat associated with the lamp and will decrease gradually over time.

Consistent operational breaks will ensure fixture will function properly for many years.

MAINTENANCE GUIDELINES



DISCONNECT POWER BEFORE PERFORMING ANY MAINTENANCE!

CLEANING

Frequent cleaning is recommended to insure proper function, optimized light output, and an extended life. The frequency of cleaning depends on the environment in which the fixture operates: damp, smoky or particularly dirty environments can cause greater accumulation of dirt on the fixture's optics. Clean the external lens surface at least every 20 days with a soft cloth to avoid dirt/debris accumulation.

NEVER use alcohol, solvents, or ammonia-based cleaners.

MAINTENANCE

Regular inspections are recommended to insure proper function and extended life.

There are no user serviceable parts inside this fixture, please refer all other service issues to an authorized Elation service technician. Should you need any spare parts, please order genuine parts from your local Elation dealer.

Please refer to the following points during routine inspections:

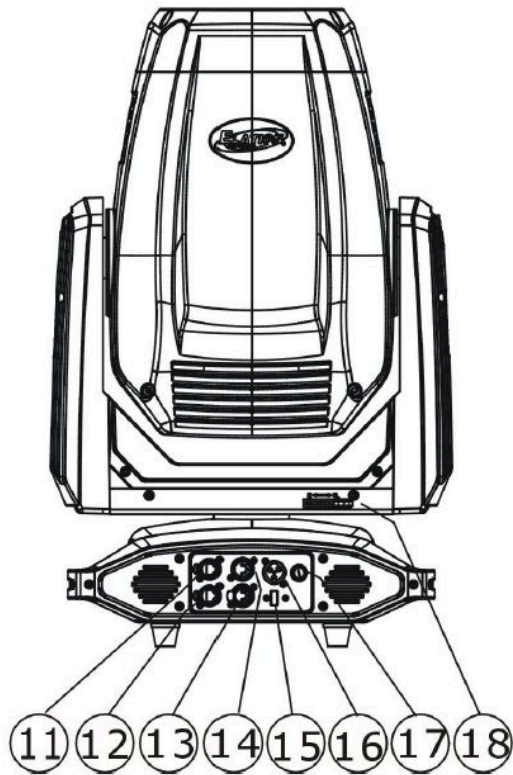
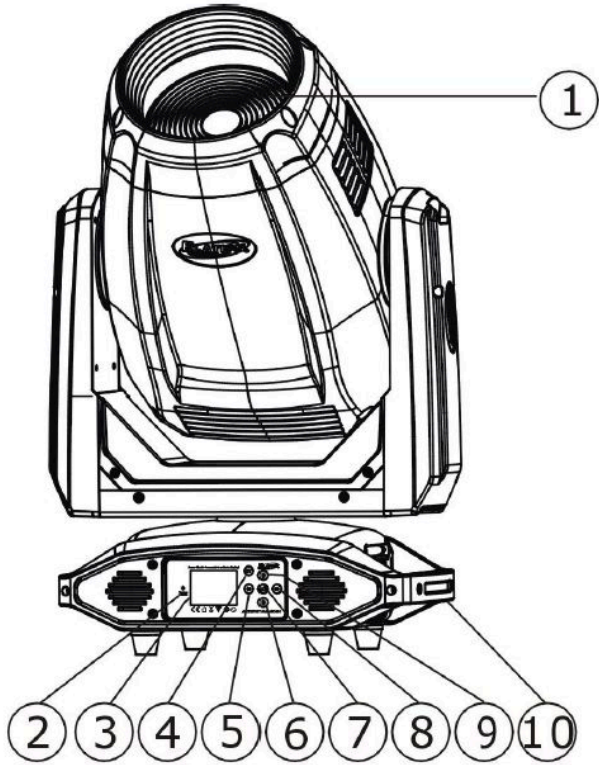
A detailed electric check by an approved electrical engineer every three months, to make sure the circuit contacts are in good condition and prevent overheating.

Be sure all screws and fasteners are securely tightened at all times. Loose screws may fall out during normal operation resulting in damage or injury as larger parts could fall.

Check for any deformations on the housing, color lenses, rigging hardware and rigging points (ceiling, suspension, trussing). Deformations in the housing could allow for dust to enter into the fixture. Damaged rigging points or unsecured rigging could cause the fixture to fall and seriously injure a person(s).

Electric power supply cables must not show any damage, material fatigue or sediments. **NEVER** remove the ground prong from the power cable.

FIXTURE OVERVIEW



1. Lens (PC and Fresnel included)

2. E-FLY Wireless Indicator

3. System Menu Display

4. MODE/ESC Button

5. LEFT Button

6. DOWN Button

7. ENTER Button

8. RIGHT Button

9. UP Button

10. Handle(s)

11. RJ45 Input

12. RJ45 Output

13. 5pin DMX Output

14. 5pin DMX Input

15. Service Port

16. Fuse

17. Power Input

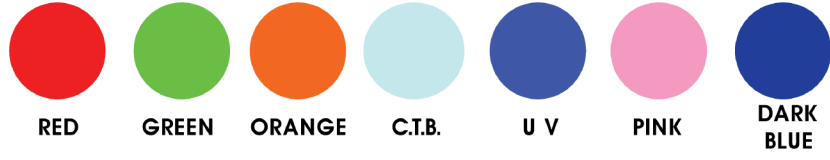
18. Pan Lock

COLORS

COLOR FLAGS



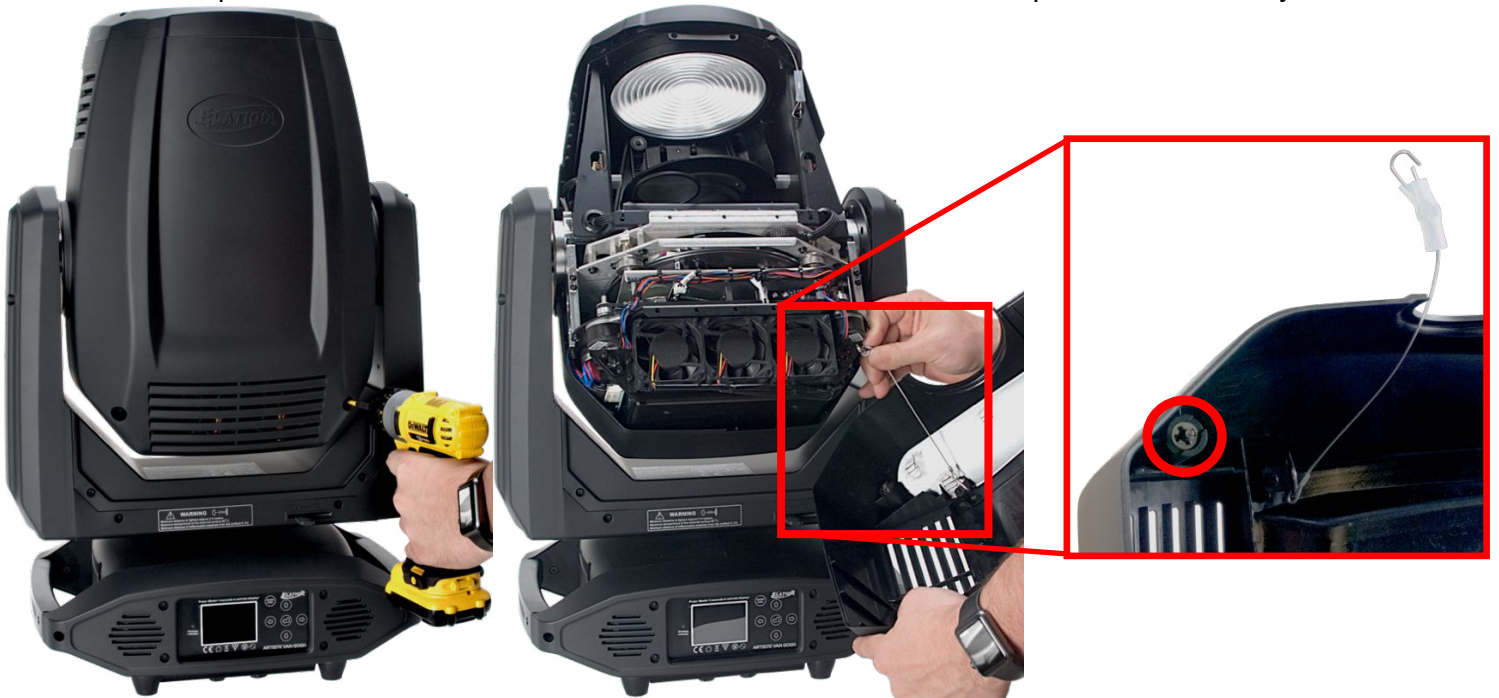
COLOR WHEEL



PC / FRESNEL LENS INSTALLATION



1. Before removing top cover, place fixture on a stable flat surface in an indoor dust free location. Ensure moving head is locked into a neutral upright position with the PAN and TILT locks both engaged.
NOTE: The top cover is on the same side as the PAN lock when the head is positioned vertically.



2. Loosen (2x) Phillips head screws to remove the top cover. (screws integrated in cover - cannot be removed). Gently lift the top cover away from the fixture and unclip the safety cable to remove cover completely.

PC / FRESNEL LENS INSTALLATION



3. The lens is secured with (4x) Phillips head screws and a safety cable. Unclip the safety cable and remove the (4x) Phillips head screws to remove the lens. **NOTE:** Fixture ships with the **Fresnel** lens as default.



Fresnel Lens

PC Lens

4. To install the included **PC** lens, first clip the lens safety cable onto the head and then position it into place and then install / tighten the (4x) Phillips head screws. Reinstall top cover and tighten (2x) Phillips-head screws.

INSTALLATION GUIDELINES



FLAMMABLE MATERIAL WARNING

Keep fixture minimum 5.0 feet (1.5m) away from flammable materials and/or pyrotechnics.



ELECTRICAL CONNECTIONS

A qualified electrician should be used for all electrical connections and/or installations.



USE CAUTION WHEN POWER LINKING OTHER MODEL FIXTURES AS THE POWER CONSUMPTION OF OTHER MODEL FIXTURES MAY EXCEED THE MAX POWER OUTPUT ON THIS FIXTURE. CHECK SILK SCREEN FOR AMX AMPS.



**MINIMUM DISTANCE TO OBJECTS/SURFACES
MUST BE 6.6 FEET (2 METERS)**



**MINIMUM DISTANCE OF INFLAMMABLE MATERIALS
FROM THE SURFACE 1.6 FEET (0.5 METER)**



MAXIMUM TEMPERATURE OF EXTERNAL SURFACE 185° F (85°C)



DO NOT INSTALL THE FIXTURE IF YOU ARE NOT QUALIFIED TO DO SO!

Fixture **MUST** be installed following all local, national, and country commercial electrical and construction codes and regulations.

Before rigging/mounting a single fixture or multiple fixtures to any metal truss/structure or placing the fixture(s) on any surface, a professional equipment installer **MUST** be consulted to determine if the metal truss/structure or surface is properly certified to safely hold the combined weight of the fixture(s), clamps, cables, and accessories.

Overhead rigging requires extensive experience, including amongst others calculating working load limits, installation material being used, and periodic safety inspection of all installation material and the fixture. If you lack these qualifications, do not attempt the installation yourself. Improper installation can result in bodily injury.

Fixture ambient operating temperature range is **14° to 113°F. (-10° to 45°C)**

Do not use the fixture under or above this temperature.

Fixture(s) should be installed in areas outside walking paths, seating areas, or away from areas where unauthorized personnel might reach the fixture by hand.

NEVER stand directly below the fixture(s) when rigging, removing or servicing.

Overhead fixture installation must always be secured with a secondary safety attachment, such as an appropriately rated safety cable.

Allow approximately 15 minutes for the fixture to cool down before serving.

INSTALLATION GUIDELINES

OMEGA BRACKETS INSTALLATION

Insert the Omega Brackets into the matching holes on the bottom of the fixture. Secure the Omega Brackets to the fixture by turning each quick-lock fastener ¼ turn clockwise; making sure the fastener is completely locked. Omega Brackets can be installed into the fixture base as illustrated below.



CLAMP INSTALLATION

When mounting fixture to truss, be sure to secure an appropriately rated professional grade rigging clamp to the included **Omega Brackets** using an M10 screw fitted through the center hole of the **Omega Brackets**. The fixture provides a built-in rigging points for a **SAFETY CABLE**. Be sure to only use one of the designated rigging points for the safety cable and never secure a safety cable to a carrying handle.

RIGGING

Overhead rigging requires extensive experience, including amongst others calculating working load limits, installation material being used, and periodic safety inspection of all installation material and the fixture. If you lack these qualifications, do not attempt the installation yourself. Improper installation can result in bodily injury.



ALWAYS ATTACH AN APPROPRIATELY RATED SAFETY CABLE (NOT INCLUDED) THAT MEETS ALL LOCAL, NATIONAL, AND COUNTRY CODES AND REGULATIONS WHENEVER INSTALLING FIXTURE IN A SUSPENDED ENVIRONMENT!

ART-NET | sACN CONNECTION

When connecting fixture to a network switch to control multiple devices, a **Gigabit Ethernet Switch** that supports **IGMP (Internet Group Management Protocol)** is required. Using a **Gigabit Ethernet Switch** that does not support **IGMP** can cause erratic behavior of all connected devices to the switch. Click link below for more information about IGMP.

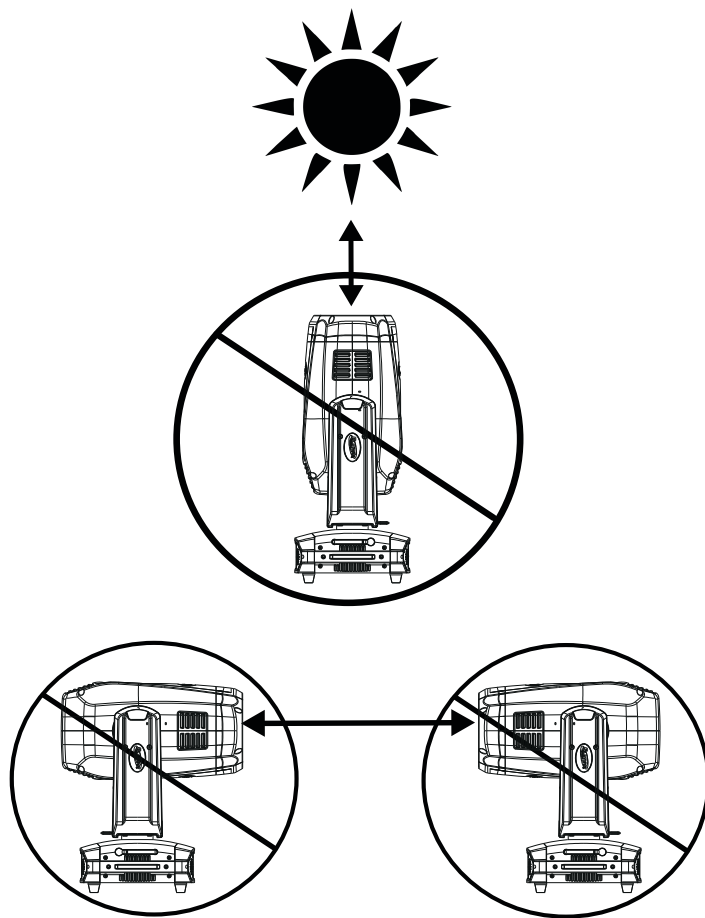
https://en.wikipedia.org/wiki/Internet_Group_Management_Protocol

INSTALLATION GUIDELINES

POTENTIAL INTERNAL FIXTURE DAMAGE FROM EXTERNAL SOURCES OF LIGHT BEAMS

External sources of light beams from direct sunlight, lighting moving head fixtures, and lasers, which are focused directly on the exterior housing and/or penetrate the front lens opening of ELATION lighting fixtures, can cause severe internal damage including burning to optics, dichroic color filters, glass and metal gobos, prisms, animation wheels, frost filters, iris, shutters, motors, belts, wiring, discharge lamps, and LEDs.

This issue is not specific only to ELATION lighting fixtures, it is a common issue with lighting fixtures from all manufacturers. Although there is no true way to fully prevent this issue from happening, the guidelines below can prevent any potential damage from occurring if followed. Contact ELATION Service for more details.



DO NOT EXPOSE THE FIXTURE AND/OR FRONT LENS OPENING TO LIGHT BEAMS FROM DIRECT SUNLIGHT, OTHER LIGHTING MOVING HEAD FIXTURES, AND LASERS WHILE UNPACKING, INSTALLATION, USE, AND EXTENDED IDLE TIMES OUTDOORS. DO NOT FOCUS A LIGHT BEAM FROM ONE LIGHTING FIXTURE DIRECTLY TOWARDS ANOTHER.

SUN PROTECTION MODE / HIBERNATION MODE

This state can be set via DMX, or will go into this state after 3 minutes without a DMX signal.

When the sun protection is activated, the pan-and-tilt function of the moving-head will position the lens away from direct sunlight, or other high intensity light source, to protect the internal belts, electronics etc. from burn damage.

When the unit is in the 'sun protection state', it uses its accelerometer sensors (X-Y-Z) (only present on discharge units and IP units) to position the front lens downwards, even when the unit(s) will be moved from its position. This will keep on changing the position of the head.

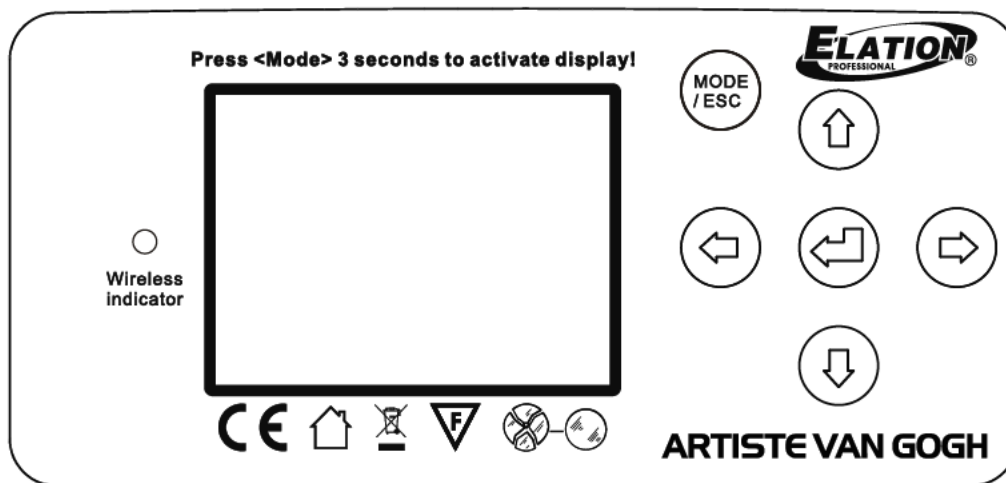
Note that 'manual mode' overrides the 'sun-protection mode'.

The hibernation function is an incredibly old feature that puts the unit into a 'sleep state' to save power (this is a state whereas only the electronics remain on, and all other functions are turned off, functions such as motors lamps etc.). This state is automatically activated when no DMX signal is present for the set time (1-99min or off).

SYSTEM MENU

The fixture includes an easy to navigate system menu. The control panel (see image below) located on the front of the fixture, provides access to the main system menu and is where all necessary system adjustments are made to the fixture. During normal operation, pressing **MODE/ESC** button once will access the fixture's main menu. Once in the main menu you can navigate through the different functions and access the sub-menus with the **UP, DOWN, RIGHT,** and **LEFT** buttons. Once you reach a field that requires adjusting, press the **ENTER** button to activate that field and use the **UP** and **DOWN** buttons to adjust the field. Pressing the **ENTER** button once more will confirm your setting. You may exit the main menu at any time without making any adjustments by pressing the **MODE/ESC** button.

To access the LCD Menu Control Display via the internal battery, press and hold the **MODE/ESC** button for 3 seconds. The LCD Menu Control Display will shut **OFF** automatically about 1 minute from the last button press.



ELATION ARTISTE VAN GOGH™

SYSTEM MENU

Supports Software Versions: ≥ 1.3.0

Features subject to change without notice.
*Rotation direction (Clockwise/Counterclockwise) and control of effects depends on head orientation and Pan/Tilt settings.

MAIN MENU	SUB MENU	OPTIONS / VALUES (Default Settings in BOLD)		DESCRIPTION	
FUNCTION	Set Dmx Address	A001~AXXX		DMX Address Setting	
	Dmx Value	ALL.....		DMX Value Display	
	Secondary Mode	Secondary 1, Secondary 2, Secondary 3		Secondary Setting	
	Auto Program	Primary / Alone		Auto Program	
INFORMATION	Time Information	Current Time	XXXX (Hours)	Fixture Run Time From Power ON	
		Total Run Time	XXXX (Hours)	Fixture Total Run Time	
		Last Run Time	XXXX (Hours)	Fixture Last Run Time	
		LastRun Password	Password= 038	(PSWD Required)	
		Clear Last Run	ON / OFF	Clear Fixture Last Run Time	
	Temperature Info	Head Temperature	XXX C° / F °		Temperature in Fixture Head
		Base Temperature	XXX C° / F °		Temperature in Fixture Base
	Ethernet IP	000 . 000 . 000 . 000	000 . 000 . 000 . 000	Displays Fixture Ethernet Address	
	Fan Info	HeadFan: xxxx RPM		Displays Fan Info	
	Software Version	1U01: - 2U01:	≥ V1.3.0	Software Version	
Error Info	Error Record 1 ~ Error Record 10		Fixture Last 10 Error Codes		
PERSONALITY	Status Settings	Address via DMX	ON/OFF	Address Via DMX	
		No DMX Status	Close / Hold / Auto	Fixture State When NO DMX Signal	
		Pan Reverse	ON/OFF	Pan Reverse Movement	
		Tilt Reverse	ON/OFF	Tilt Reverse Movement	
		Pan Degree	630/ 540	Pan Degree Select	
		Feedback	ON/OFF	Movement Feedback	
		Movement Speed	Normal / Slow	Movement Speed	
		P/T Brake Mode	Smooth /Fast	Pan/Tilt Brake Mode	
	Hibernation	OFF, 01M~99M, 15M	Stand By Mode		
	Service Setting	Password	Password= 050		Service Password
		Clear Err. Info	ON/OFF	Clear Error Info (PSWD Required)	
		DFLT Pow. EflyOn	ON/OFF	***E-FLY Optional – Not Included***	
		USB Update	YES/NO	Service Port - Software Updates	
	Fans Control	Auto , High, Silent		Select Fan Speeds	
	Display Setting	Shutoff Time	02~60m 05m	Display Shut Off Time	
		Display Reverse	ON/OFF	Display Reverse 180°	
		Key Lock	ON/OFF	Key Lock	
	Temperature C/F	Celsius/Fahren		Temperature Switch Between C°/ F°	
	Initial Status	PAN =XXX		Initial Effect Position	
	Select Signal	E-FLY Off	E-FLY Wireless Off ***E-FLY Optional Not Included***		
		DMX & E-FLY	DMX In/Out & E-FLY ***E-FLY Optional Not Included***		
		Art-Net	Select Art-Net		
		sACN	Activate sACN		
	Ethernet IP	XXX . XXX . XXX . XXX		Ethernet IP (PSWD Required)	
	Ether Mask IP	XXX . XXX . XXX . XXX		Ethernet Mask IP (PSWD Required)	
	Set Universe	000 - 32767		Set ArtNet Universe	
	Dimmer Mode	Standard , Stage, TV, Architectural, Theatre, Stage2		Set Dimmer Mode	
	Refresh	1200 , 900-1500, 2500, 4000, 5000, 10000, 15000, 20000, 25000 (Hz)		Set LED Refresh Rate	
	Dimmer Curve	Linear , Square, Inverse Square, S-Curve		Set Dimmer Curve Mode	
	Reset Default	ON/OFF	Passcode= 011	Restore Factory Settings (PSWD Required)	

ELATION ARTISTE VAN GOGH™

SYSTEM MENU

Supports Software Versions: ≥ 1.3.0

Features subject to change without notice.
*Rotation direction (Clockwise/Counterclockwise) and control of effects depends on head orientation and Pan/Tilt settings.

MAIN MENU	SUB MENU	OPTIONS / VALUES (Default Settings in BOLD)		DESCRIPTION
Reset Function	Reset All			Reset All Motors
	Reset Pan&Tilt			Reset Pan/Tilt
	Reset Colors			Reset Colors
	Reset Focus&Zoom			Reset Focus & Zoom
	Reset Others			Reset Other Motors
Effect Adjust	Test Channel	PAN		Test function
	Manual Control	PAN =XXX,		Fine Adjustments
	Calibration	Calibration Password		Password 050 (PSWD Required)
User Mode Set	User Mode	Standard		DMX Channel Modes
		Extended		
Edit Program	Select Program	Auto Pro Part1 = Program 1~10 (Program 1)		Select Programs To Be Run
		Auto Pro Part2 = Program 1~10 (Program 2)		
		Auto Pro Part3 = Program 1~10 (Program 3)		
	Edit Program	Program 1	Program Test	Testing Program
		:	Step 01=SCxxx	Program In Loop
		Program 10	Step 64=SCxxx	Save and Exit
	Edit Scenes	Edit Scene 001 ~ Edit Scene 250	Pan,Tilt,.....	Save and Automatically Return
			--Fade Time-- --Scene Time--	Manual Scenes Edit
Input By Outside			Stores Scenes via Ext DMX Console	
Rec. Controller	XX~XX	Automatic Scenes Recorder		

SYSTEM MENU

PERSONALITY - Status Settings - Address Via DMX

When ON, define the desired DMX address via an external controller.

NOTE: This process assumes the fixture DMX address is set to 001. If fixture DMX address is not at 001, you must adjust the channel numbers accordingly in order for this feature to work.

For example: if your fixture address is 010, then Channel 1 becomes Channel 10, Channel 2 becomes Channel 11, and Channel 3 becomes Channel 12.

1. Connect the fixture to the external controller and power ON.
2. Set the DMX value of **Channel 1** on the controller to **(7)**.
3. Set the DMX value of **Channel 2** on the controller to **(7)** or **(8)**.
When set to **(7)**, the DMX address can be set between **(1)** and **(255)**.
When set to **(8)**, the DMX address can be set between **(256)** and **(511)**.
4. Using **Channel 3** on the controller set the desired DMX address of the fixture.

Example 1: If the desired DMX address is **57**, set **Channel 1** to a value of **(7)**, set **Channel 2** to a value of **(7)**, and then set **Channel 3** to a value of **(57)**.

Example 2: If the desired DMX address is **420**, set **Channel 1** to a value of **(7)**, set **Channel 2** to a value of **(8)**, and then set **Channel 3** to a value of **(164)**. (256+164=420)

5. After setting **Channel 3** to the desired DMX address value, wait for approximately 20 seconds (some fixtures may require a longer time) for the fixture to complete the address reset function.

PERSONALITY – Service Setting - Password (050)

The Service Password MUST be entered in order to access the service menus.

SYSTEM MENU

PERSONALITY – Service Setting – USB Update

To update the fixture software via the **UPDATE/SERVICE PORT**, follow steps below.



ONLY QUALIFIED TECHNICIANS SHOULD PERFORM THIS FUNCTION!
NOTE ALL MENU SETTINGS BEFORE UPDATING SOFTWARE!
FIXTURE SOFTWARE CAN NOT BE DOWNGRADED!
DOWNLOAD FIXTURE SOFTWARE TO PC ONLY! (NO MAC SUPPORT)
PLEASE CONTACT ELATION SERVICE FOR FURTHER INFORMATION.

1. Copy fixture software update file from a PC computer to a compatible USB flash drive.
2. Make sure only the fixture software update file is stored on the USB flash drive.
3. Disconnect DMX, Art-Net, and E-FLY connections and power the fixture ON.
4. Insert USB flash drive into the **UPDATE/SERVICE PORT** on the rear connection panel.
5. Navigate to the **Personality** main menu **Service Setting / USB Update** sub menu.
6. Select the software file name on the menu display and press **ENTER**.
7. Select **YES** to begin update process and **Updating...%** will show on the menu display.
8. After file is uploaded, the fixture will check the software which will take some time.
9. The fixture will perform a reset process when the software update process is complete.
10. Remove the USB flash drive and make necessary system menu setting adjustments.

PERSONALITY - Display Setting – Key Lock

When ON, Control Panel buttons lock automatically after exiting main menu for 15 seconds. To unlock, keep **MODE/ESC** button pressed for 3 seconds.

PERSONALITY - Reset Default (011)



ONLY QUALIFIED TECHNICIANS SHOULD PERFORM THIS FUNCTION!

This function restores all fixture settings to the factory default settings. The password is **011** and must be entered each time a reset is performed.

EFFECT ADJUST – Test Channel

Auto test each individual channel function independently from the DMX control board.

EFFECT ADJUST – Manual Control

Select and manually test and fine adjust each individual channel function independently from DMX control board. This function will center PAN and TILT motors and set dimmer to 100%. PAN and TILT functions will still operate if the fixture needs to be positioned to a flat clear surface. With the individual functions, you can focus the light on a flat surface (wall) and perform fine adjustments.

SYSTEM MENU

EFFECT ADJUST – Calibration



ONLY QUALIFIED TECHNICIANS SHOULD PERFORM THIS FUNCTION!

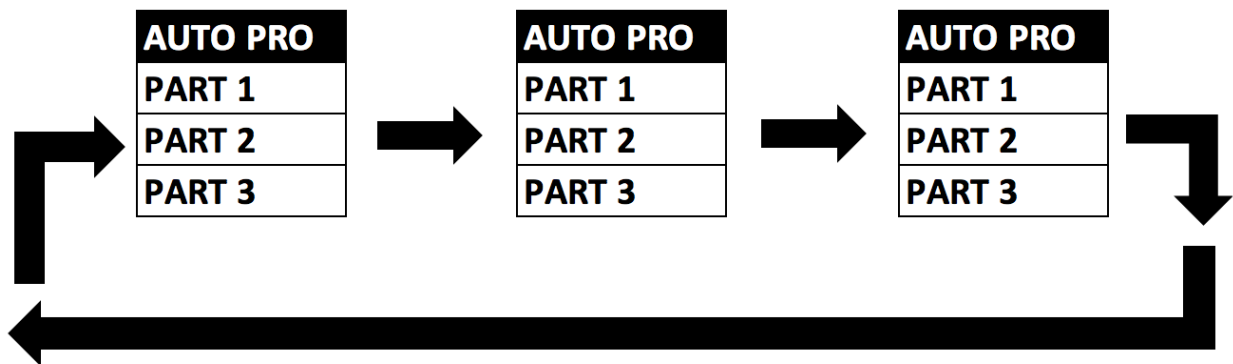
This function allows small adjustments to be made to the Pan, Tilt, and Zoom movements to compensate for wear or in the event a sensor has been knocked slightly out of place. Because improper use of this function can result in undesired operation this function has been password protected. The password is **050** and must be entered each time the calibration menu function is entered. Because calibration is an extremely delicate procedure, instructions on performing this action are left out of this manual. For a first-time calibrator, please contact our customer support team for step-by-step instructions.

EDIT PROGRAM – Rec. Controller

The fixture features an integrated DMX-recorder by which you can transmit the programmed scenes from your DMX-controller to the moving head. Adjust the desired scene numbers via the encoder (from – to). When you call up the scenes at your controller, they will automatically be transmitted to the moving head.

EDIT PROGRAM – Record Controller – Working with Built-In Programs

A Primary unit can send up to 3 different data groups to the Secondary units, i.e. a Primary unit can start 3 different Secondary units, which run 3 different programs. The Primary unit sends the 3 program parts in a continuous loop.



The Secondary unit receives data from the Primary unit according to the group which the Secondary unit was assigned to. If e.g. a Secondary unit is set to **“Secondary 1”** in the menu **“Set to Secondary”**, the Primary unit sends **“Auto Program Part 1”** to the Secondary unit. If set to **“Secondary 2”**, the Secondary unit receives **“Auto Program Part 2”**.

SYSTEM MENU

EDIT PROGRAM – Record Controller – Working with Built-In Program [continued]

To start an Auto Program, proceed as follows:

1. Secondary Setting

Select “**Function Mode**”.

Press **ENTER** to confirm.

Select “**Set to Secondary**”.

Press **ENTER** to confirm.

Select “**Secondary 1**”, “**Secondary 2**” or “**Secondary 3**”.

Press **ENTER** to confirm.

Press **MODE/ESC** in order to return to the main menu.

2. Automatic Program Run

Select “**Function Mode**”.

Press **ENTER** to confirm.

Select “**Auto Program**”.

Press **ENTER** to confirm.

Select “**Primary**” or “**Alone**”.

Press **ENTER** to confirm.

Press **MODE/ESC** in order to return to the main menu.

3. Program Selection for Auto Pro Part

Select “**Edit Program**”.

Press **ENTER** to confirm.

Select “**Select Programs**”.

Press **ENTER** to confirm.

Select “**Auto Pro Part 1**”, “**Auto Pro Part 2**” or “**Auto Pro Part 3**” and select which Secondary program is to be sent. Selection “**Part 1**” means, that the Secondary unit runs the same program as the primary units.

Press **ENTER** to confirm.

Press **MODE/ESC** in order to return to the main menu.

4. Program Selection for Edit Program

Select “**Edit Program**”.

Press **ENTER** to confirm.

Select “**Edit Program**”.

Press **ENTER** to confirm.

Select the desired program to edit specific scenes into a specific program.

Press **ENTER** to confirm.

Press **MODE/ESC** in order to return to the main menu.

SYSTEM MENU

EDIT PROGRAM – Record Controller – Working with Built-In Program [continued]

5. Automatic Scene Recording

Select “**Edit Program**”.

Press **ENTER** to confirm.

Select “**Edit Scenes**”.

Select desired scene numbers. A maximum of 250 scenes can be programmed.

Press **ENTER** to confirm.

Press **MODE/ESC** in order to return to the main menu.

Example:

Program 2 includes scenes: 10, 11, 12, & 13

Program 4 includes scenes: 8, 9, & 10

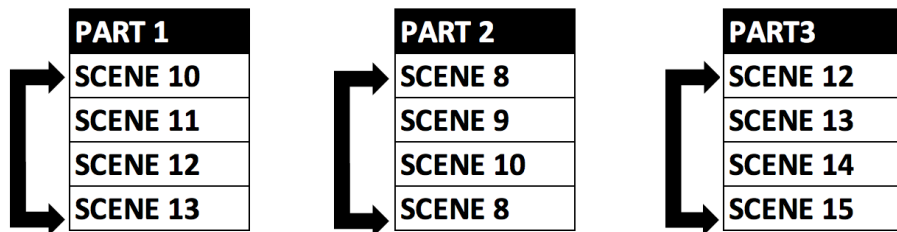
Program 6 includes scenes: 12, 13, 14, & 15

Auto Pro Part 1 is Program 2

Auto Pro Part 2 is Program 3

Auto Pro Part 3 is Program 6

The 3 Secondary groups run the Auto Program in certain time segments. (See chart below)



DMX CHANNEL FUNCTIONS AND VALUES

ELATION ARTISTE VAN GOGH™					
DMX Channel Values / Functions (36 Total DMX Channels)					
Supports Software Versions: ≥ 1.3.0					
Features subject to change without notice.					
*Rotation direction (Clockwise/Counterclockwise) and control of effects depends on head orientation and Pan/Tilt settings.					
Standard	Extended	Value	Function	Default	Snap
1	1		PAN	127	
		0-255	Movement		
2	2		PAN FINE	127	
		0-255	Fine Movement		
3	3		TILT	127	
		0-255	Movement		
4	4		TILT FINE	127	
		0-255	Fine Movement		
5	5		CYAN		
		0-255	0-100%		
	6		CYAN FINE		
		0-255	Fine Adjustment		
6	7		MAGENTA		
		0-255	0-100%		
	8		MAGENTA FINE		
		0-255	Fine Adjustment		
7	9		YELLOW		
		0-255	0-100%		
	10		YELLOW FINE		
		0-255	Fine Adjustment		
8	11		CTO		
		0-255	0-100%		
	12		CTO FINE		
		0-255	Fine Adjustment		
9	13		COLOR WHEEL		
		0-15	Open / white		
		16-31	Red		
		32-47	Green		
		48-63	Orange		
		64-79	CTB		
		80-95	UV		
		96-111	Pink		
		112-127	Dark Blue		
		128-189	Clockwise effect from fast to slow		
		190-193	No rotation		
		194-255	Counter-clockwise effect from slow to fast		
10	14		FOCUS	127	
		0-255	Continuous adjustment from NEAR to FAR		
11	15		ZOOM	127	
		0-255	Zoom adjustment from SMALL to BIG		

Standard	Extended	Value	Function	Default	Snap
12	16		STROBE		x
		0-31	Shutter Closed		
		32-63	NO Function (Shutter Open)		
		64-95	Strobe SLOW to FAST		
		96-127	No Function (Shutter Open)		
		128-159	Pulse-effect in sequences		
		160-191	No function (shutter open)		
		192-223	Random strobe effect slow to fast		
		224-255	No function (shutter open)		
13	17		DIMMER		
		0-255	0 → 100%		
14	18		DIMMER FINE		
		0-255	Fine Dimming		
15	19		DIM MODES		x
		0-20	Standard		
		21-40	Stage		
		41-60	TV		
		61-80	Architectural		
		81-100	Theatre		
		101-120	Stage 2		
			DIMMER DELAY TIME		
		121	0s		
		122	0.1s		
		123	0.2s		
		124	0.3s		
		125	0.4s		
		126	0.5s		
		127	0.6s		
		128	0.7s		
		129	0.8s		
		130	0.9s		
		131	1.0s		
		132	1.5s		
		133	2.0s		
		134	3.0s		
		135	4.0s		
		136	5.0s		
		137	6.0s		
		138	7.0s		
		139	8.0s		
140	9.0s				
141	10s				
142-255	Idle				

Standard	Extended	Value	Function	Default	Snap
16	20		FROST	0	
		0 -255	Open to FULL Frost		
	21		SPEED of CMY & Color Macro		
		0-255	Speed MAX to MIN		
	22		COLOR MACROS - CMY & Color Wheel		x
		0-31	OFF		
		32-39	Macro1		
		40-47	Macro2		
		48-55	Macro3		
		56-63	Macro4		
		64-71	Macro5		
		72-79	Macro6		
		80-87	Macro7		
		88-95	Macro8		
		96-103	Macro9		
		104-111	Macro10		
		112-119	Macro11		
		120-127	Macro12		
		128-135	Macro13		
		136-143	Macro14		
		144-151	Macro15		
		152-159	Macro16		
		160-167	Macro17		
		168-175	Macro18		
		176-183	Macro19		
		184-191	Macro20		
		192-199	Macro21		
		200-207	Macro22		
		208-215	Macro23		
		216-223	Macro24		
		224-231	Macro25		
		232-239	Macro26		
	240-247	Macro27			
	248-255	Random CMY			

Standard	Extended	Value	Function	Default	Snap
17	23		BLADE 1		
		0 -255	Open to Close		
	24		BLADE 1 FINE		
		0 -255	Open to Close FINE		
18	25		BLADE 2		
		0 -255	Open to Close		
	26		BLADE 2 FINE		
		0 -255	Open to Close FINE		
19	27		BLADE 3		
		0 -255	Open to Close		
	28		BLADE 3 FINE		
		0 -255	Open to Close FINE		
20	29		BLADE 4		
		0 -255	Open to Close		
	30		BLADE 4 FINE		
		0 -255	Open to Close FINE		
21	31		FRAMING ROTATION	127	
		0-126	Min (-45 degrees)		
		127-128	Parallel (0 degrees)		
		129-255	Max (+45 degrees)		
	32		FRAMING ROTATION FINE	0	
		0 -255	Framing Rotation FINE		
	33		BLADE SPEED		
		1 -255	Speed MAX to MIN		

Standard	Extended	Value	Function	Default	Snap
			BLADE MACROS		
		0-7	OFF		
		8-15	Macro1		
		16-23	Macro2		
		24-31	Macro3		
		32-39	Macro4		
		40-47	Macro5		
		48-55	Macro6		
		56-63	Macro7		
		64-71	Macro8		
		72-79	Macro9		
		80-87	Macro10		
		88-95	Macro11		
		96-103	Macro12		
		104-111	Macro13		
		112-119	Macro14		
	34	120-127	Macro15		x
		128-135	Macro16		
		136-143	Macro17		
		144-151	Macro18		
		152-159	Macro19		
		160-167	Macro20		
		168-175	Macro21		
		176-183	Macro22		
		184-191	Macro23		
		192-199	Macro24		
		200-207	Macro25		
		208-215	Macro26		
		216-223	Macro27		
		224-231	Macro28		
		232-239	Macro29		
		240-247	Macro30		
		248-255	Macro31		
			PAN / TILT SPEED		
		0-225	Max to min speed		
		226-235	Blackout by movement		
		236-245	Blackout by all wheel changing		
	35	246-255	No function		

Standard	Extended	Value	Function	Default	Snap
22	36		CONTROL		x
		0-19	Color change normal		
		20-29	Color change to any position		
		30-39	Color & gobo change to any position		
		40-44	Low Noise – Mute		
		45-49	Low Noise – Studio		
		50-59	Fan Control – Low		
		60-69	Fan Control – High		
		70-79	Fan Control – Auto		
		80-84	All motor reset		
		85-87	Pan / Tilt motors reset		
		88-90	Color motors reset		
		91-93	No function		
		94-96	Focus and Zoom Motor reset		
		97-99	Other motor reset		
		100-168	Refresh Rate (Hz)		
		100	900		
		101	910		
		102	920		
		103	930		
		104	940		
		105	950		
		106	960		
		107	970		
		108	980		
		109	990		
		110	1000		
		111	1010		
		112	1020		
		113	1030		
		114	1040		
		115	1050		
		116	1060		
		117	1070		
		118	1080		
		119	1090		
120	1100				
121	1110				
122	1120				
123	1130				
124	1140				
125	1150				
126	1160				
127	1170				

Standard	Extended	Value	Function	Default	Snap
22	36	128	1180		x
		129	1190		
		130	1200		
		131	1210		
		132	1220		
		133	1230		
		134	1240		
		135	1250		
		136	1260		
		137	1270		
		138	1280		
		139	1290		
		140	1300		
		141	1310		
		142	1320		
		143	1330		
		144	1340		
		145	1350		
		146	1360		
		147	1370		
		148	1380		
		149	1390		
		150	1400		
		151	1410		
		152	1420		
		153	1430		
		154	1440		
		155	1450		
		156	1460		
		157	1470		
		158	1480		
		159	1490		
160	1500				
161	2500				
162	4000				
163	5000				
164	6000				
165	10000				
166	15000				
167	20000				
168	25000				
169-176	Idle				
177-178	Hibernation Off				
179-180	Hibernation				

Standard	Extended	Value	Function	Default	Snap
22	36	181-190	PanTilt Smooth (default)		x
		191-200	PanTilt Fast		
		201-210	Dimmer Curve Linear (default)		
		211-220	Dimmer Curve Square		
		221-230	Dimmer Curve Inverse Square		
		231-240	Dimmer Curve S-Curve		
		241	Internal program 1 (scene1~8 of EEPROM)		
		242	Internal program 2 (scene9~16 of EEPROM)		
		243	Internal program 3 (scene17~24 of EEPROM)		
		244	Internal program 4 (scene25~32 of EEPROM)		
		245	Internal program 5 (scene33~40 of EEPROM)		
		246	Internal program 6 (scene41~48 of EEPROM)		
		247	Internal program 7 (scene49~56 of EEPROM)		
		248-255	Idle		

ERROR CODES

When power is applied, the unit will automatically enter a “Reset/Test” mode. This mode brings all the internal motors to a home position. If there is an internal problem with one or more of the motors an error code will flash in the display in the form of “XXEr” where as XX will represent a function number. For example, when the display shows “0Er” it means there is some type of error with the Pan motor. If there are multiple errors during the start-up process, they will all flash in the display. For example: if the fixtures have errors on **Channel 1, 2, and 5** all at the same time, you will see the error message “01Er”, “02Er”, and “05Er” flash repeated 5 times.

If an error does occur during the initial start-up procedure the fixture will self-generate a second reset signal and try to realign all the motors and correct the errors. If the error persists after a second attempt a third attempt will be made. If after a third attempt all the errors have not been corrected the fixture will make the following determinations:

3 or More Errors - The fixture cannot function properly with three or more errors therefore the fixture will place itself in a stand-by mode until subsequent repairs can be made.

Less Than 3 Errors - The fixture has less than 3 errors; therefore, most other functions will work properly. The fixture will attempt to operate normally until the errors can be corrected by a technician. The errors in question will remain flashing in the display as a reminder of internal errors.

Error Codes subject to change without notice.	
ERROR CODES	DESCRIPTION
PAN Er	<p>Movement is not located in the default position after the reset. This message will appear after a fixture reset if the magnetic-indexing circuit malfunctions (sensor failed, or magnet is missing) or there is a motor failure (defective motor or a defective motor IC drive on the main PCB). This error may also be displayed if the head/yoke was blocked during a reset function.</p> <p>Movement is not located in the default position after the reset. This message will appear after a fixture reset if the magnetic-indexing circuit malfunctions (sensor failed, or magnet is missing) or there is a motor failure (defective motor or a defective motor IC drive on the main PCB).</p>
TILT Er	
Cyan Color Wheel Er	
Magenta Color Wheel Er	
Yellow Color Wheel Er	
CTO Wheel Er	
Color Wheel Er	
Focus Wheel Er	
Zoom Wheel Er	
Blade 1 Wheel Er	
Blade 2 Wheel Er	
Blade 3 Wheel Er	
Blade 4 Wheel Er	
All Blade Rot Wheel Er	
Frost Wheel Er	

SPECIFICATIONS

SOURCE

380W High CRI Cool White LED Engine

20,000 Hour Average LED Life*

*May vary depending on several factors including but not limited to:
Environmental Conditions, Power/Voltage, Usage Patterns (On-Off Cycling), Control, and Dimming.

PHOTOMETRIC DATA

16,000 Total Output Lumen

CRI 91

Fresnel Lens

Zoom Range 11° - 66°

Beam Angle 7.5° - 45.2°

Field Angle 16.5° - 68.2°

PC Lens

Zoom Range 7° - 55°

Beam Angle 5.6° - 43.2°

Field Angle 7.1° - 58°

EFFECTS

Motorized Zoom

CMY + CTO Color Mixing

7 Position Fixed Color Wheel including UV

4 Independent Barn Doors

Barn Door Index Adjustment

Frost Filter

Remote Focus Adjustment

Electronic Strobe and Variable Dimming Curves

16-bit Dimming

CONTROL / CONNECTIONS

2 DMX Channel Modes (22 / 36 Channels)

DMX Adjustable Refresh Rate (900 -25000 Hz)

(6) Button Touch Panel

Full Color 180° Reversible LCD Menu Display

DMX, RDM, Art-Net, sACN Protocol Support

Locking 5pin XLR DMX, RJ45 Ethernet, and Power

USB Connection (Firmware Updates)

With Wired Digital Communication Network

SIZE / WEIGHT

Length: 15.73 in (399.6mm)

Width: 17.61 in (447.3mm) (Fresnel Lens)

Height: 26.34 in (669mm)

Weight: 62.8 lbs. (28.5kg)

ELECTRICAL

AC 100-240V 50/60Hz

600W Max Power Consumption

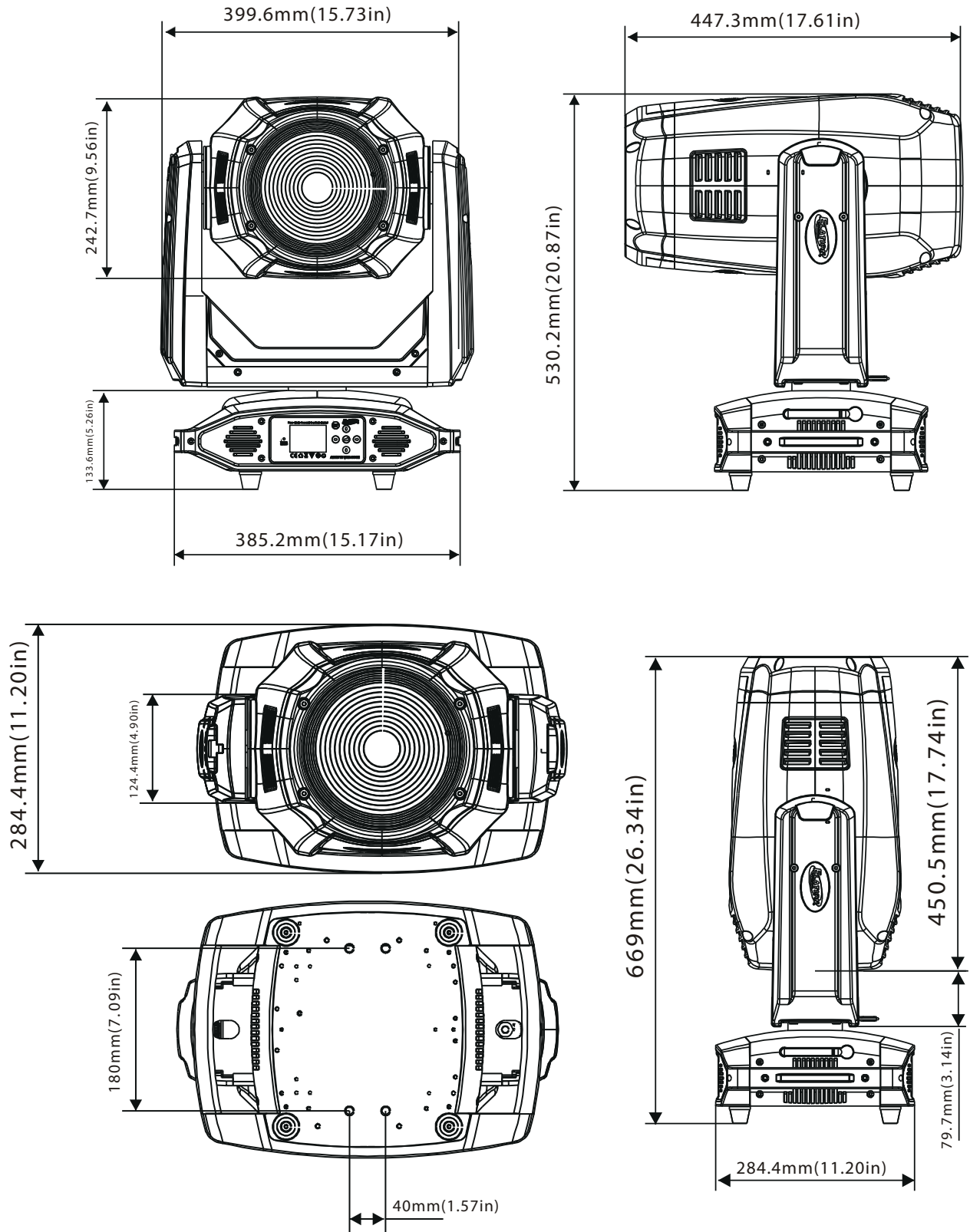
BTU/hr (+/- 10%) 2046

APPROVALS / RATINGS

CE | cETLus | IP20

Specifications and improvements in the design of this unit and this manual are subject to change without notice.

DIMENSIONAL DRAWINGS



Specifications and improvements in the design of this unit and this manual are subject to change without notice.

OPTIONAL ACCESSORIES

ORDER CODE	ITEM
TRIGGER CLAMP	Heavy Duty Wrap Around Hook Style Clamp
AC5PDMX5PRO	5 ft. (1.5m) 5pin PRO DMX Cable
CAT6PRO5	5 ft. (1.5m) CAT6 Cable
NEU096	Power Link Cable
	Additional Cable Lengths Available

FCC STATEMENT

This device complies with Part 15 of the FCC Rules. Operation is subject to the following two conditions: (1) this device may not cause harmful interference, and (2) this device must accept any interference received, including interference that may cause undesired operation.

FCC RADIO FREQUENCY INTERFERENCE WARNINGS & INSTRUCTIONS

This product has been tested and found to comply with the limits as per Part 15 of the FCC Rules. These limits are designed to provide reasonable protection against harmful interference in a residential installation. This device uses and can radiate radio frequency energy and, if not installed and used in accordance with the included instructions, may cause harmful interference to radio communications. However, there is no guarantee that interference will not occur in a particular installation. If this device does cause harmful interference to radio or television reception, which can be determined by turning the device off and on, the user is encouraged to try to correct the interference by one or more of the following methods:

- Reorient or relocate the device.
- Increase the separation between the device and the receiver.
- Connect the device to an electrical outlet on a circuit different from which the radio receiver is connected.
- Consult the dealer or an experienced radio/TV technician for help.

Europe Energy Saving Notice

Energy Saving Matters (EuP 2009/125/EC)

Saving electric energy is a key to help protecting the environment. Please turn off all electrical products when they are not in use. To avoid power consumption in idle mode, disconnect all electrical equipment from power when not in use. Thank you



